

Want to visualize this product in 3D?

- 1 Download the  Augment App
- 2 Scan this image



► Model G-SPA

# Global Series Signaling Platform – Amplified Speaker

Federal Signal G-Series Amplified Speakers are designed for rugged industrial public address and general alarm applications. These models are available in explosion-proof “Ex d” versions and increased safety “Ex de” wiring box versions and are certified for gas Group IIC environments.

G-Series Amplified Speakers are capable of amplifying audio-level signals from either 0.8 Vrms or 2.8 Vrms systems and reproducing it at 15 Watt levels. G-Series Amplified Speakers work perfectly with ECHO Intercom systems, or with any application requiring audio amplification where ATEX or IECEx approval is required or desired.

The G-Series Amplified Speaker can be combined with all other G-Series audible and visual products in several custom configurations. Custom configurations can be ordered directly from the factory. Optional coupling kits, which allow limited field fixturing, are available.

## FEATURES

- Optional 316 stainless steel ratchet adjustable mounting U-bracket (Field installation required)
- Non-metallic corrosion-resistant design
- Gain control
- Supports 3 operational voltages: 24VDC, 120VAC 50/60 Hz, and 230VAC 50/60 Hz
- Field customizable legend plates available<sup>1</sup>
- IP66 enclosure
- Two M20 entries standard on Ex d models, three M20 entries standard on Ex de models
- Zone 1, 21 Rated, IECEx, ATEX, Ex d IIC, Ex de IIC and Ex tb IIIC
- UL and cUL Listed for Class I, Division 2, Groups A, B, C and D; Class II, Division 2, Groups F and G; and Class III
- Optional indicator rings are available in six colors: Black, Blue, Green, Magenta, Red and Yellow

MODEL	OPERATING VOLTAGE	NOMINAL OPERATING CURRENT <sup>2</sup>	AUDIO LEVELS <sup>3</sup> LINE LEVEL/ECHO	DECIBELS <sup>4</sup>	
				10'	1 M
<b>G-SPA</b>	24VDC	0.370 amps	0.8/2.8 Vrms	96	106
	120/230VAC 50/60Hz	0.060/0.040 amps	0.8/2.8 Vrms	96	106

<sup>1</sup> Recommended labels: BRADY #B-855 Toughwash labels or ULINE #S-16643 weather resistant

<sup>2</sup> Operating current varies with frequency content and input power.

<sup>3</sup> Ships with 2.8 Vrms selected; field switchable.

<sup>4</sup> Measured using a reference frequency of 1.25 kHz at nominal operating voltage and audio level.

### UL/cUL HAZARDOUS LOCATION RATING

#### TEMPERATURE CODE AT 70°C

Class I, Division 2, Groups A, B, C, D	T3
Class II, Division 2, Groups F, G	T6
Class III	T6

### ATEX/IECEx HAZARDOUS LOCATION RATING

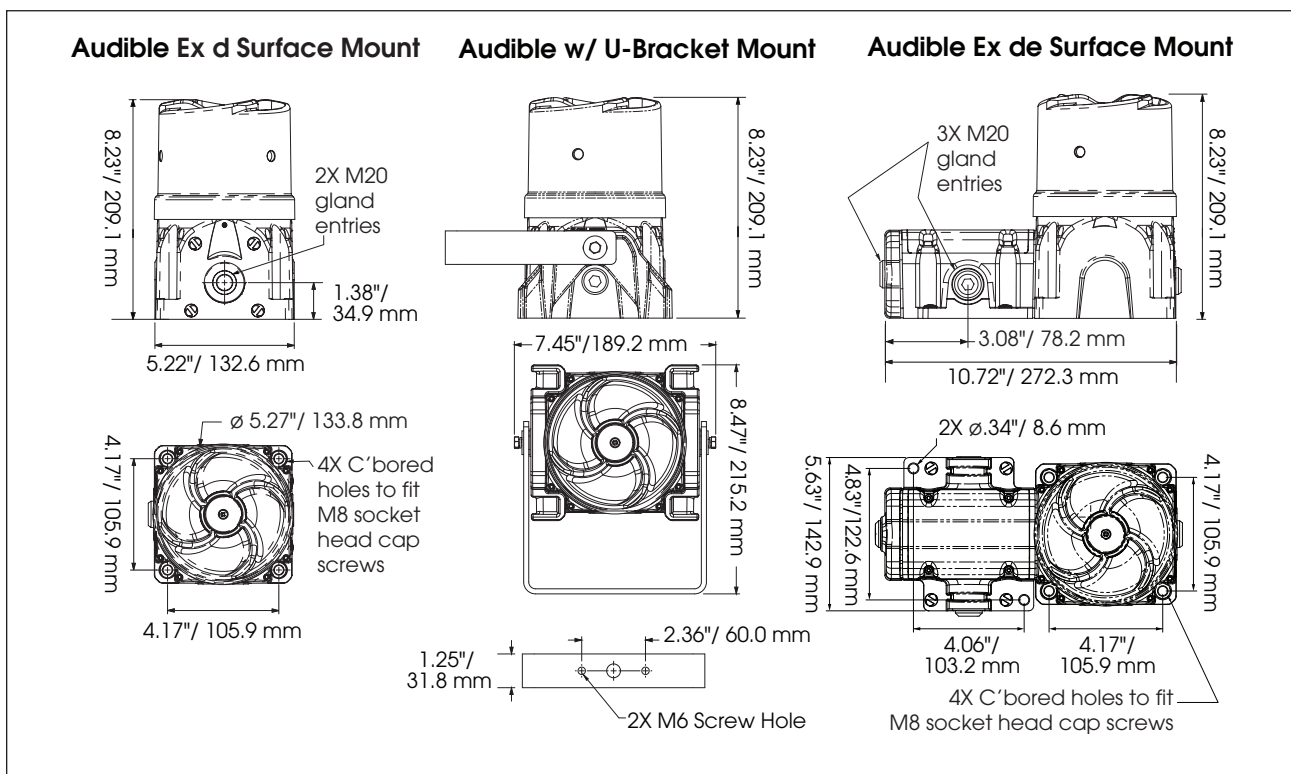
#### TEMPERATURE CODE

AT 49°C	AT 70°C
T5 (in IIB)	T4 (in IIB)
T4 (in IIC)	T4 (in IIC)



THIS PRODUCT IS NOT FOR SALE, RE-SALE, DISTRIBUTION OR USE IN THE FOLLOWING COUNTRIES: BELGIUM, FRANCE, GERMANY, ITALY, NETHERLANDS, SPAIN, OR THE UNITED KINGDOM UNTIL AUGUST 2017.

## Global Series Signaling Platform – Audible Device (G-SPA)



### SPECIFICATIONS

Operating Temperature Range: <sup>1</sup>	-67°F to 158°F	-55°C to +70°C
Certification Marking:	Ex db IIB T5 Gb or Ex db e IIB T5 Gb Ex tb IIIC T100°C Db IP66 Ex db IIC T4 Gb or Ex db e IIC T4 Gb Ex tb IIIC T135°C Db IP66 ATEX: Baseefa15ATEX0155X IECEX: IECEX BAS 15.0104X	
External Fasteners:	316 stainless steel	
Terminals:	Ex d: 10 way block (3 in, 3 out with audio input) Ex de: 3-pole, 4 position quad pole terminal blocks	
Cable Entries:	Ex d: 2 entries - M20 x 1.5 Ex de: 3 entries - M20 x 1.5	
UL and cUL Certification Marking:	Class I, Division 2, Groups A, B, C, D T3 @ 70°C Class II, Division 2, Groups F, G T6 @ 70°C Class III T6 @ 70°C UL and cUL E12629	

### Net Product Weight

Ex d Surface Mount	9.65 lbs	4.38kg
Ex d U-Bracket Mount	11.63 lbs	5.28kg
Ex de Surface Mount	12.47 lbs	5.66kg

### REPLACEMENT PARTS

Description	Part Number
Multi-voltage G-SPA Speaker Kit	K859501403
(Kit includes PCBAs, bracket, driver, and mounting screw)	
e-Box Endcap with M20 Opening	K859500805-02
e-Box Endcap with M25 Opening	K859500805-01
e-Box Cover Assembly	K859501414
(Includes two terminal blocks, mounting plate and retention hardware)	

THIS PRODUCT IS NOT FOR SALE, RE-SALE, DISTRIBUTION OR USE IN THE FOLLOWING COUNTRIES: BELGIUM, FRANCE, GERMANY, ITALY, NETHERLANDS, SPAIN, OR THE UNITED KINGDOM UNTIL AUGUST 2017.

### HOW TO ORDER

**G - SPA - MV - D**

#### MODEL

#### TYPE

**SPA** Amplified Speaker

Indicate MV for D & T configurations  
**MV** Multi-voltage

Select a voltage for E configurations

**024** 24VDC  
**120** 120VAC  
**230** 220-240VAC

#### CONFIGURATION

**D** Ex d Surface Mount  
**T** Ex d U-Bracket Mount\*  
**E** Ex de Surface Mount

\*Field Installation Required

Reference Global Series accessory product page for list of available accessories.

<sup>1</sup> UL and cUL is -58°F to 158°F (-50°C to +70°C)