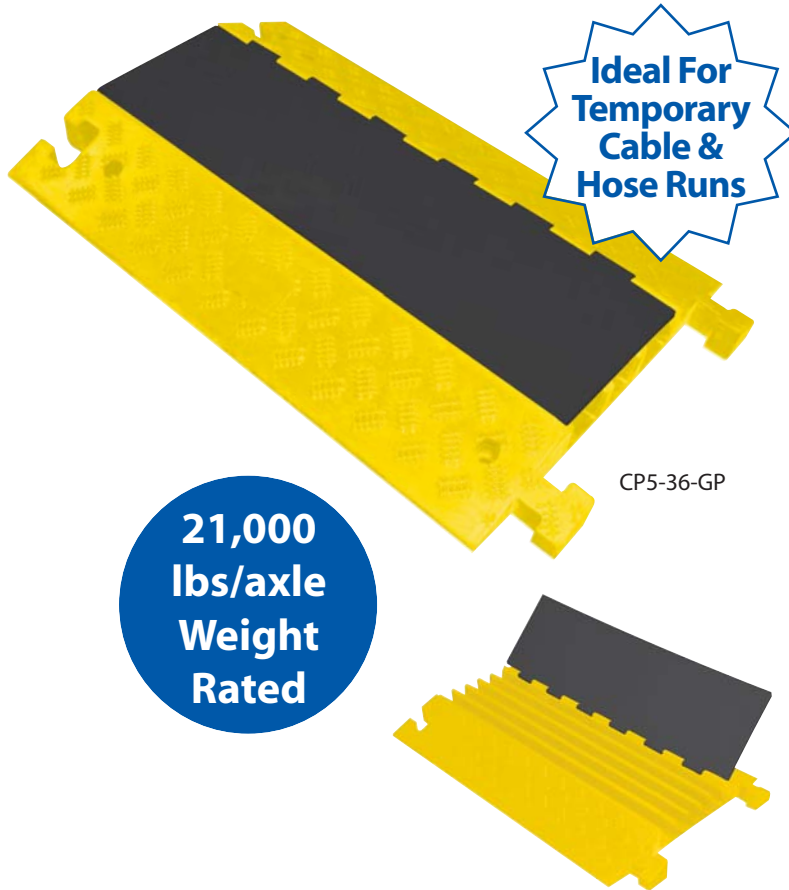


TUFFTRAXX™ Series Cable Protectors



FEATURES:

- Non-conductive shock barrier protection
- Rounded dividers protect cables from snags and tears
- T-style connector interlocks for secure operation
- Hinged lid for easy cable loading
- Rugged, all-weather polyurethane construction
- Tread plate surface for increased traction
- Clearly identifiable molded safety warning symbols
- Tapered end caps provide gradual egress
- Compact design for easy handling and storage
- Meets NEC & OSHA requirements
- 21,000 lbs/axle (10,500 lbs/tire) Load capacity
- Large capacity (1.3 inch) 5-slot linear sections

Ericson's TuffTraxx™ Series of Cable Protectors deliver unmatched security and protection against cable and hose damage. Easy to install and reconfigure, the non-metallic TuffTraxx™ Series shields interconnect cabling from harmful equipment traffic, thus minimizing expensive down-time and repairs.

Protecting pedestrian traffic from dangerous trip hazards, whether at the work site or during public events, has never been easier than with this safe and affordable solution. Constructed from durable polyurethane and tested to rigorous quality and operational standards, these products are designed to withstand years of punishing service without compromised performance.

Featuring a compact, flexible design that is easy to setup and transport, TuffTraxx™ are ideal for a wide range of applications including:

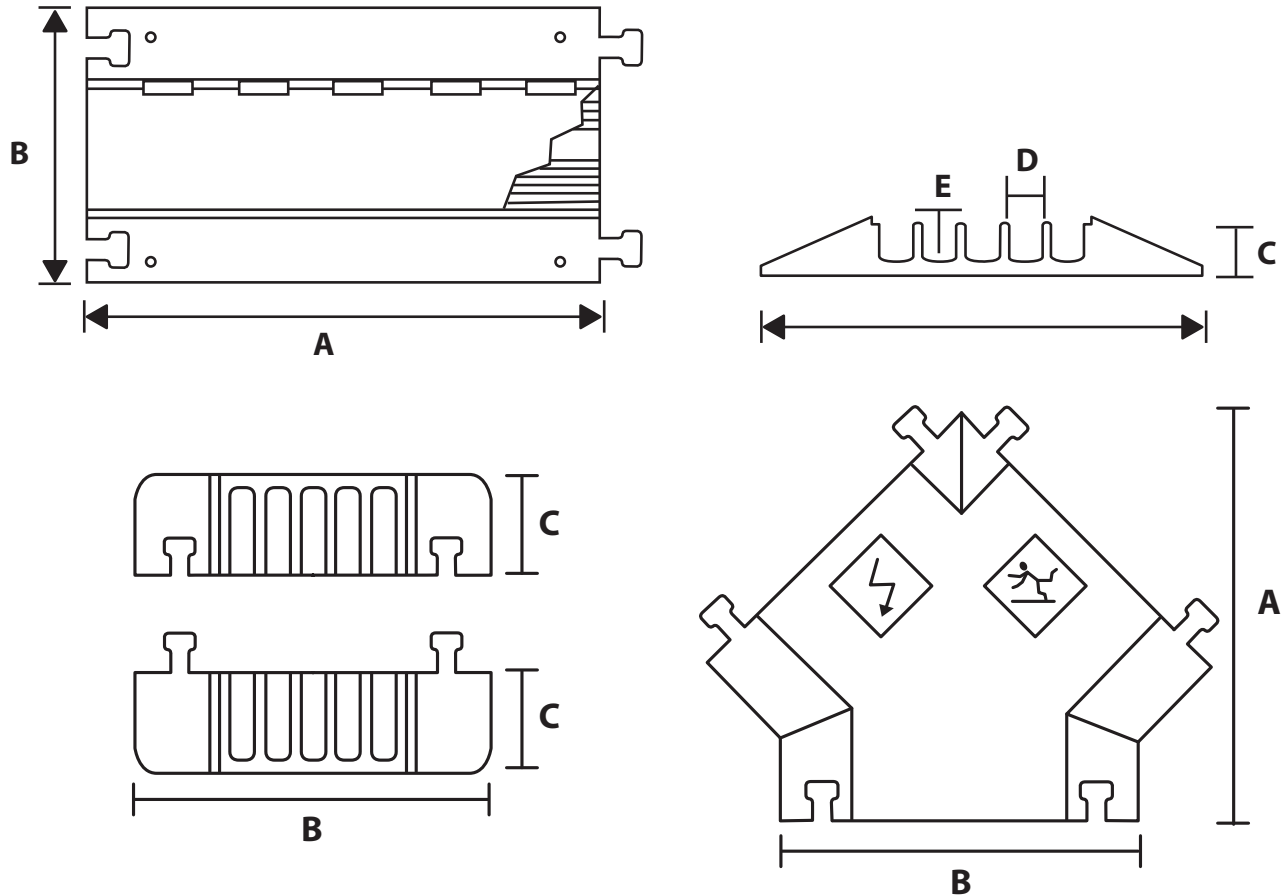
- Oil / Gas Exploration
- Digital / Communications
- Mining Operations
- Oil / Gas Refineries
- Defense / Safety
- Carnivals and Fairs
- Construction
- Utility Maintenance
- Rental Services
- Entertainment Venues
- Sporting Events
- Transportation



Made in the USA

TUFFTRAXX™ Series Cable Protectors

Material:	UV Stabilized Polyurethane
Hinge Pin Material:	Reinforced Fiberglass
Operating Temperature Range:	-40 °F to +120 °F (-40 °C to +49 °C)
Maximum Load per Tire:	10,500 lbs. @ 70 °F (4,763 kg. @ 21 °C): For straight section



Catalog Number	Description	A-Length	B-Width	C-Height	D-Channel Ht.	E-Channel Ht.	Weight
CP5-36-GP	5-slot, 36" straight section	36" (914.4 mm)	17.25" (438.2 mm)	1.95" (50 mm)	1.3" (33 mm)	1.3" (33 mm)	22 lbs. (9.97903 kg)
CP5-45Y-GP	5-Channel "Y"-Adapter	19.75" (501.7 mm)	17.25" (438.2 mm)	1.95" (50 mm)	1.3" (33 mm)	1.3" (33 mm)	9.4 lbs. (4.3 g)
CP5-ECP-GP	5-Channel End Caps	4.75" (120.7 mm)	17.25" (438.2 mm)	1.95" (50 mm)	1.3" (33 mm)	1.3" (33 mm)	5.4 lbs. (2.4 kg)



ERICSON MANUFACTURING COMPANY

4215 Hamann Parkway Willoughby, Ohio 44094 U.S.A
 Toll Free: 1-800-ERICSON (374-2766) • Phone: (440)951-8000 • Fax: (440)951-1867
 E-mail: info@ericson.com • Website: www.ericson.com